

MISSION DATA CARD

OPORD		Callsign		Mission		Date/Time		
3322/2024		Raptor 1		Training		172000OCT24		
Task	LGB Body Training					Freq		
AO	Range 61					134.0		
Departure				Recovery				
DREAM FOUR				STRYK				
#	Callsign		Pilot		IFF	TCN	LSR	NET
-1	Raptor 1-1		Nerkub		1611	1Y	1611	

LOADOUT

A/A	2xA120C, 2xA9X				GUN	100% HEI-T	
A/G	2xG12				CHF	120	
POD	HTS, A184, TGP				FLR	0	
TKS	2xFT300				FUEL	100%	

TOLD

	Takeoff	Target	Joker	Bingo	Land
FUEL	11169				

AIRBASES

	Name	TCN	ATIS	GND	TWR	RWY	Elev	ILS
Dep	Nellis AFB	12X	270.1	275.8	327.0	21L	1850	109.1
Arr	Nellis AFB	12X	270.1	275.8	327.0	21L	1850	109.1
Div	Creech AFB	87X	290.45	275.8	360.6			

FLIGHTPLAN

#	Name	Navaid/Coords/DME	ALT	TOT
1	DREAM	N37 10 20.400 W114 59 31.800	15000	
2	HOLD	N37 22 43.501 W115 09 33.506	15000	
3	IP	N37 22 34.126 W115 20 12.896	15000	
4	TRGT	N37 11 35.794 W115 24 48.127	15000	
5	SARAH	N36 36 27 W115 18 01.800	15000	
6	GASS PEAK	N36 24 08.400 W115 10 39.600	9000	
7	SIMNS	N36 17 20.400 W115 10 45	5000	
8	CRAIG	N36 15 15 W115 08 16.200	5000	
9	Nellis AFB	N36 13 32 W115 02 37	1800	

COMMS

Radio	Usage
1	11/3/4/16/11/4/3

NOTES

Dep: Dream 4 -> Dreams

AAR -> Pegasus

HOLDING und Target Aufklärung

Laser geht in Orbit um das Ziel (Right Hold) - Body Flight zwei Anflüge

SUPPORT**Tanker**

Callsign	TCN	Freq	ALT	TAS
TEXACO 2	95Y	289.7	FL220	420
Pos	Pegasus.1: CDC 166/102 (N3730 W11440)			

OTHER FLIGHTS

Callsign	Mission	Airframe	Freq	TCN	Grpld	Laser
Tiger 1	Training	2x F/A-18C	261.15	1/64	1	155X
AO	R64 W	Task	GunPatern (NCR 11/15)			
Edelweiss 1	Training	2x F-16C	135.0	1/64		171X
AO	NTTR	Task	Departure / Recovery Training			
Raptor 3	Training	3x F-16C	134.5	1/64		163X
AO	Range 61	Task	LGB Body Training			
Monster 3	Training	4x A-10C	132.15	1/64	21	161X
AO	ELGIN	Task	PROF.-EXERCISES			
Nazgul 6	Training	1x F-15E	262.45	1/64		156X
AO	BVR-X	Task	BVR Training			
Rattler 1	Training	4x AH-64D	133.5	1/64		125X
AO	LATNG	Task	Radar-Training			
Edelweiss 6	Training	2x A-10C	134.65	1/64	40	166X
AO	SW Corner Texaco 3-1	Task	AAR + Formation Training			
Panther 1	Training	2x F/A-18C	261.35	1/64		157X
AO	BVR-Y	Task	BVR Training			

RADIO CHANNELS

#	Freq	Name
1		Flight/Squadron specific
2	289.4	Nellis Clearance Delivery
3	275.8	Nellis Ground
4	327.0	Nellis Tower
5	385.4	Nellis Approach/Departure West
6	273.55	Nellis Approach/Departure East
7	317.525	Nellis Control -- Sally
8	254.4	Nellis Control-- Lee
9	305.6	SOF Bullseye
10	343.725	EMERGENCY SINGLE FRQ
11	270.1	Nellis ATIS
12	360.625	Creech AFB Tower
13	250.1	HAVE QUICK 13
14	251.1	HAVE QUICK 14
15	252.1	HAVE QUICK 15
16	377.8	Blackjack
17	265.0	KC-135 AR-641A
18	360.8	KC-135MPRS AR-635
19	319.8	KC-135MPRS AR-625
20	300.05	KC-135 AR-231V

RAMROD

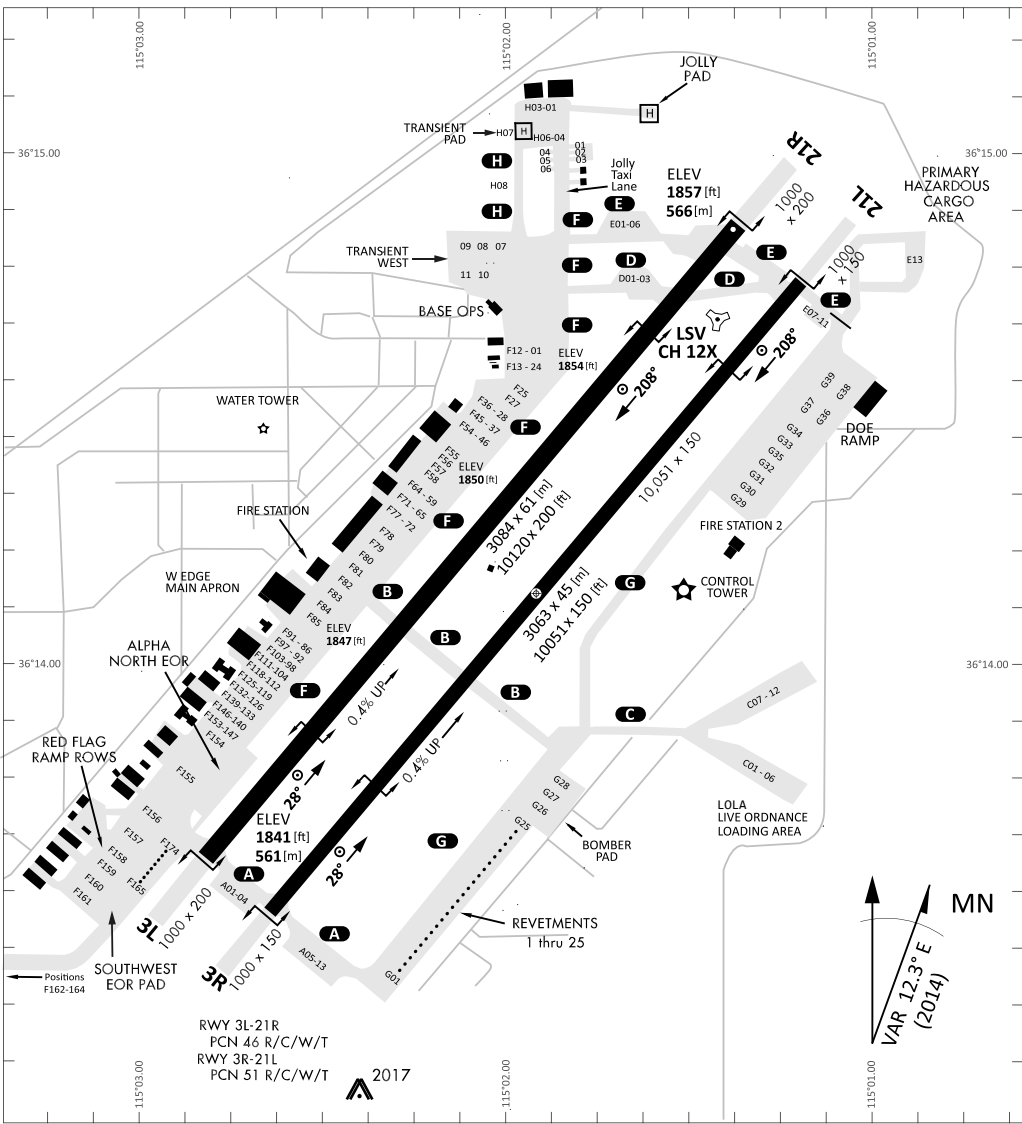
0	1	2	3	4	5	6	7	8	9
W	O	R	K	P	L	A	C	E	S

KTC 1400 C

	0	1	2	3	4	5	6	7	8	9
A	TRBI	POM	DJG	WY	UF	VSC	XH	EA	NK	LQ
B	LDMG	QCE	TBO	NV	HX	JRY	KA	UF	IP	SW
C	TYCD	AUV	IHX	WB	NR	GLO	SF	MQ	EK	JP
D	YFGS	PNR	KXA	WD	LC	UMQ	OV	BJ	TI	EH
E	DCSV	TMB	GPQ	HW	XN	JUA	EK	OI	YR	FL
F	GAJH	FTW	LMB	VP	CD	ISN	RK	EU	QX	YO
G	QEAN	KDB	ULC	VR	FJ	IPS	MH	YG	TW	OX
H	UANJ	BKW	GOR	TP	MQ	VHS	ID	FL	YC	EX
I	EWSJ	XUR	GBV	KI	DQ	MCL	AY	FO	PT	HN
J	NIYP	SXT	VOK	UE	MQ	LFJ	BR	GC	DH	AW
K	XLWV	THU	COS	QR	PA	BKI	DG	YE	JM	NF
L	NEFD	VKA	LGH	UQ	IO	JYT	BC	XM	PS	RW
M	FONK	QLU	EMW	JY	SR	VTP	CB	IX	DA	GH
N	NPJF	LET	KUA	DM	VC	SGH	RW	OY	XI	QB
O	CTWG	XJS	VDA	LM	KF	UOH	YP	IN	BR	QE
P	WKXH	NTI	OLC	ED	MB	FUP	QG	SA	VY	RJ
Q	VRCB	AYL	SIO	NT	WX	FHP	UD	JE	GM	QK
R	GIJH	PLF	CVD	ME	UW	YAS	BT	KN	RQ	XO
S	PMNK	BDR	GSJ	HY	TQ	AWO	VE	CL	FI	XU
T	LECW	RTB	FNK	SY	MU	VIO	DP	JG	QX	AH
U	BAYN	RSQ	IUV	HD	LM	PGK	XE	WF	CT	OJ
V	DAMV	OHU	CBJ	WE	KF	GLQ	XP	IS	YT	RN
W	GSTH	XBR	QEM	JO	FU	KID	LW	CP	YV	NA
X	SPCX	GRB	UEF	YO	DQ	MIN	WT	JA	HV	KL
Y	TYJM	KDB	SHP	NL	UF	WCE	GQ	RO	VA	IX

NAVAIDS

Id	Name	Channel	Position	Elevation
BCE	Bryce Canyon	75	N3741.35 W11218.23	9040
BIH	Bishop	33	N3722.62 W11821.99	4114
BLD	Boulder	114	N3559.75 W11451.82	3650
BTY	Beatty	94	N3648.54 W11644.86	2925
CDC	Cedar City	120	N3747.24 W11304.90	5463
DAG	Daggett	79	N3457.75 W11634.69	1760
EED	Needles	99	N3445.96 W11428.43	650
GFS	Goffs	91	N3507.87 W11510.59	4019
GRL	Groom Lake	18	N3713.91 W11548.16	4475
HEC	Hector	74	N3447.83 W11627.78	1854
ILC	Wilson Creek	110	N3815.02 W11423.65	9318
INS	Creech AFB	87	N3635.20 W11540.12	3101
LAS	McCarran Intl	116	N3604.78 W11509.59	2142
LSV	Nellis	12	N3614.68 W11501.50	1864
MLF	Milford	58	N3821.62 W11300.79	4977
MMM	Mormon Mesa	90	N3646.16 W11416.65	2120
MVA	Mina	98	N3833.92 W11801.97	7860
OAL	Coale Dale	124	N3800.20 W11746.23	4800
PGS	Peach Springs	57	N3537.48 W11332.67	4754
TPH	Tonopah Muni	119	N3801.84 W11702.01	5330
TQQ	Silverbow	77	N3748.00 W11647.00	5500
UTI	St George	23	N3705.29 W11335.53	2871



RWY 3L-21R
 PCN 46 R/C/W/T
 RWY 3R-21L
 PCN 51 R/C/W/T
 2017

PAR	RWY	CAT	MINIMA	ARP	ELEV	Scale 1:35'500
	21L	A B D E	2057 - 0.8 200 (200-0.8/1.6) GS 3°	36° 14.060° N 115° 01.058° W	1857 [ft] 566 [m]	0 300 600 900 1200 1500 [m]
	3R	A B D E	2057 - 0.8 200 (200-0.8/1.6) GS 3°			0 1000 2000 3000 4000 5000 [ft]
SRA	21R	A C D E	2257 - 1.2 350 (350-1.2/1.6)			
	3L	A C D E	2257 - 1.2 350 (350-1.2/1.6)			

RWY	TORA	TODA	ASDA	LDA	PSN	THR	ALS
21L	10051 [ft] 3063 [m]	11051 [ft] 3368 [m]	11051 [ft] 3368 [m]	10051 [ft] 3063 [m]	36°14.043' N	115°01.018' W	⊕
3R	10120 [ft] 3084 [m]	11120 [ft] 3398 [m]	11120 [ft] 3398 [m]	10120 [ft] 3084 [m]	36°13.029' N	115°02.038' W	

ATIS	NELLIS GROUND	NELLIS TOWER	NELLIS CONTROL	TACAN	ILS RWY 21L	NELLIS EAST	NELLIS WEST
270.100 MHz	275.800 121.800	327.000 132.55	317.525	LSV 12X	109.10 Mhz	384.400	385.000

DREAM FOUR DEPARTURE DREAM4 | VALID 2014

NELLIS AFB (KLSV)
LAS VEGAS, NEVADA

ATIS
270.100
NELLIS GROUND
275.800
NELLIS TOWER
327.000
NELLIS CONTROL
317.525
NELLIS DEP/APP EAST
384.400
BLACKJACK
377.800

DREAM
N3710.34
W11459.53

MINTT
LAS 351/38
17,000

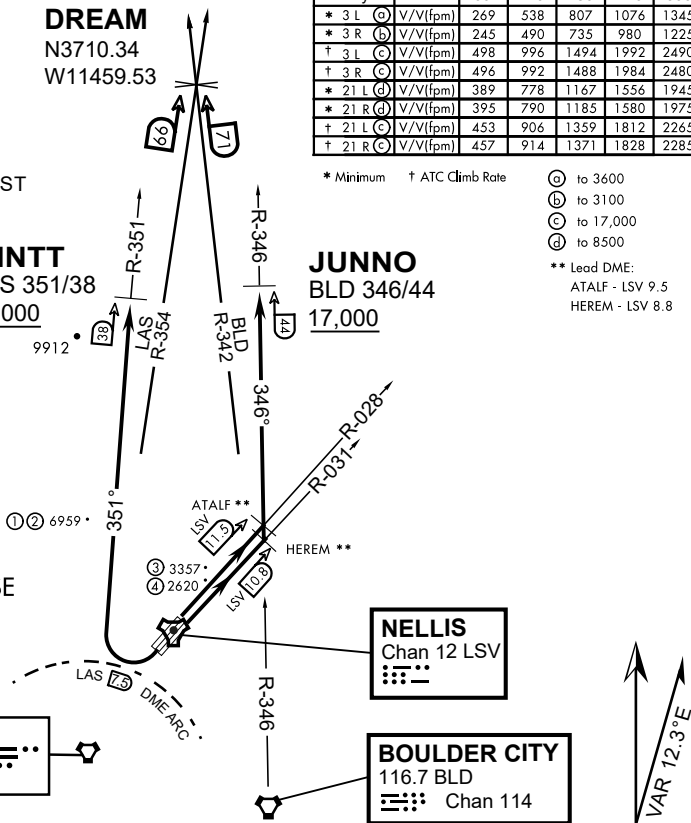
JUNNO
BLD 346/44
17,000

Rwy	Knots	60	120	180	240	300	360
* 3 L (A)	V/V(fpm)	269	538	807	1076	1345	1614
* 3 R (B)	V/V(fpm)	245	490	735	980	1225	1470
† 3 L (C)	V/V(fpm)	498	996	1494	1992	2490	2988
† 3 R (C)	V/V(fpm)	496	992	1488	1984	2480	2976
* 21 L (D)	V/V(fpm)	389	778	1167	1556	1945	2334
* 21 R (D)	V/V(fpm)	395	790	1185	1580	1975	2370
† 21 L (C)	V/V(fpm)	453	906	1359	1812	2265	2718
† 21 R (C)	V/V(fpm)	457	914	1371	1828	2285	2742

* Minimum † ATC Climb Rate

- (A) to 3600
 - (B) to 3100
 - (C) to 17,000
 - (D) to 8500
- ** Lead DME:
ATALF - LSV 9.5
HEREM - LSV 8.8

- ① 12.24 NM from Rwy 21R
- ② 12.40 NM from Rwy 21L
- ③ 5.67 NM from Rwy 3L
- ④ 5.85 NM from Rwy 3R



NOT FOR CIVIL USE

CAUTION: If unable to comply with restrictions advise ATC prior to departure.

LAS VEGAS
116.9 LAS
Chan 116

NELLIS
Chan 12 LSV

BOULDER CITY
116.7 BLD
Chan 114

DEPARTURE ROUTE DESCRIPTION

TAKE-OFF RWY 3L

- Fly runway heading to intercept the LSV TACAN R-028 then direct ATALF, intercept the BLD VORTAC R-346 then direct JUNNO, cross JUNNO at or above 17,000, then via assigned route.

TAKE-OFF RWY 3R

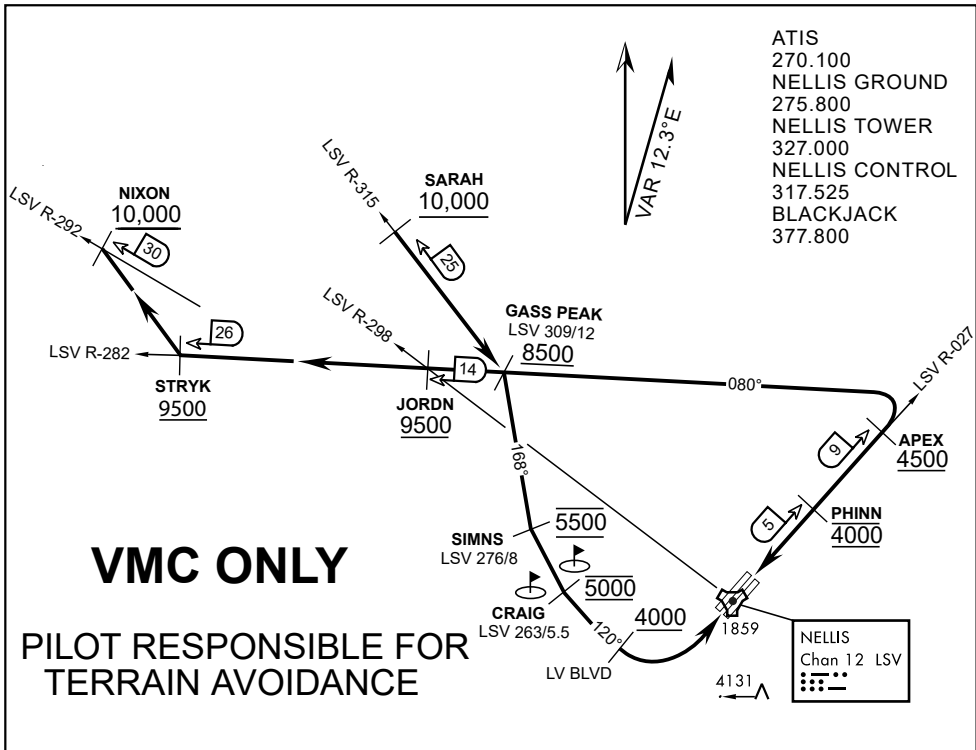
- Fly runway heading to intercept the LSV TACAN R-031 then direct HEREM, intercept the BLD VORTAC R-346 then direct JUNNO, cross JUNNO at or above 17,000, then via assigned route.

TAKE-OFF RWY 21L/R

- Turn right to intercept LAS VORTAC R-351 outbound. Remain North of LAS 7.5 DME turning Northbound. Intercept LAS R-351 between 5000 and 6000, do not proceed West of LAS R-351. Cross MINTT at or above 17,000, then via assigned route.

NOISE ABATMENT PROCEDURES: Fly acc. Nellis Noise Abatement instructions

DREAM FOUR DEPARTURE (DREAM4 • DREAM)



APPROACH ROUTE DESCRIPTION

APPROACH RWY 3L/R

Cross STRYK at or above 9,500' MSL, proceed direct GASS PEAK. Cross JORDN at or above 9,500' MSL, cross GASS PEAK at or above 8,500' MSL. Proceed direct SIMNS and cross at 5,500' MSL. Cross Las Vegas Blvd at or above 4,000' MSL then to 3,500' MSL for Initial. Remain within 4 DME if LSV on turn to final.

VFR STRAIGHT-IN RWY 3L/R

Depart CRAIG & descend to be at 3,000' MSL by Las Vegas Blvd. Do not descend below 3,000' MSL until within 5 DME of LSV or 4 NM of the runway on turn to final.

APPROACH RWY 21L/R

Cross STRYK at or above 9,500' MSL, proceed direct GASS PEAK. Cross JORDN at or above 9,500' MSL, cross GASS PEAK at or above 8,500' MSL. Cross APEX at or above 4,500' MSL then direct 5NM initial. Descend to cross PHINN at 4,000' MSL, Inside 5 NM descend to 3,500' MSL.

VFR STRAIGHT-IN RWY 21L/R

Cross APEX at 4,000' MSL. Descend to be at 3,000' MSL at PHINN. Descend to 3,000' MSL at LSV 027/5.

RANGE 63B EXIT

SOUTH: Via NIXON at or above 10,000' MSL, then direct STRYK.

EAST: Via SARAH at or above 10,000' MSL, then direct GASS PEAK.



INDIAN SPRINGS, NEVADA

TACAN INS Chan 87	APCH CRS 065°	Rwy ldg TDZE 3133	9002 3113
		Arpt Elev 3113	

INDIAN SPRINGS AF AUX (KINS)

▼ * MISSED APPROACH: Straight ahead to INS TACAN, intercept INS R-outbound, cross 17 DME at or above 9500, then direkt KSV TACAN 114

NELLIS CON

CREECH AFB TOWER
118.30 60.60

GND CON

NOT FOR CIVIL USE

FOR USE UNDER BASIC VFR
WEATHER MINIMUMS ONLY

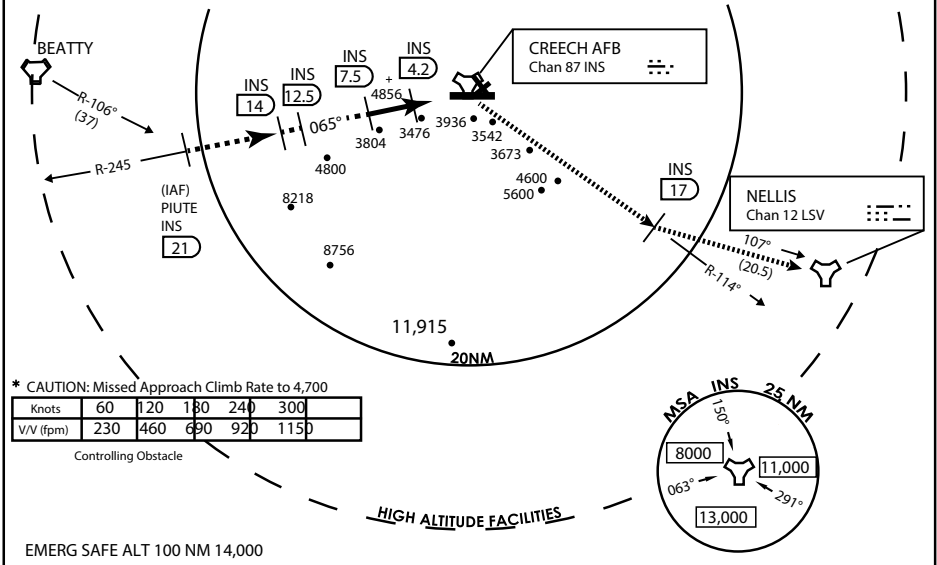
PILOT IS RESPONSIBLE FOR TERRAIN/OBSTACLE AVOIDANCE AND APPROPRIATE VFR CLOUD CLEARANCE FOR ALL

CAUTION: Descent gradients are greater than allowed under standard TERPS criteria and inbound course does not meet straight-in criteria

CAUTION: Final approach course crosses Runway centerline at MIDFIELD. Maneuvering left of course required prior to landing. Do not Maneuver farther north than the INS R- 258

Modified by viaBog 66 for use with DCS
NOT FOR REAL LIFE NAVIGATION

Modified by viaBog 66 for use with DCS
NOT FOR REAL LIFE NAVIGATION



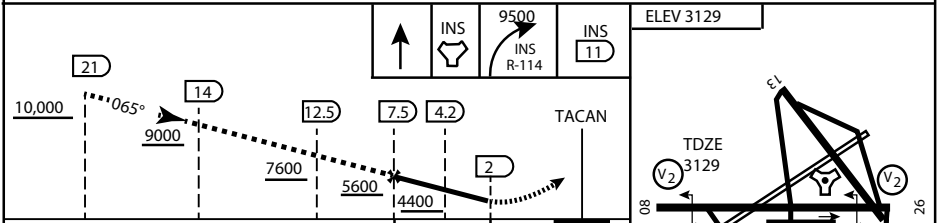
* CAUTION: Missed Approach Climb Rate to 4,700

Knots	60	120	180	240	300
V/V (fpm)	230	460	690	920	1150

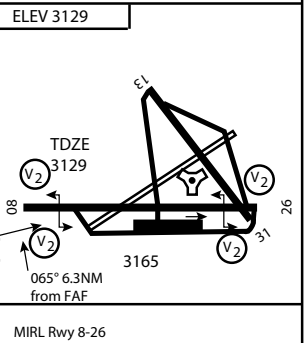
Controlling Obstacle

HIGH ALTITUDE FACILITIES

EMERG SAFE ALT 100 NM 14,000



CATEGORY	A	B	C	D	E
S-8	3760-1 1/2	627 (700-1 1/2)	3760-1 3/4 627 (700-1 3/4)	3760-2 627 (700-2)	3760-2 1/4 627 (700-2 1/4)
CIRCLING	NOT AUTHORIZED				



CITY OF INDIAN, NEVADA

INDIAN SPRINGS AF AUX (KINS)

(FOR DAY VFR USE ONLY)



