

MISSION DATA CARD

OPORD		Callsign		Mission		Date/Time		
3250/2024		Edelweiss 1		Training		262000SEP24		
Task	BFM					Freq		
AO	Rachel					264.15		
Departure				Recovery				
				STRYK				
#	Callsign		Pilot		IFF	TCN	LSR	NET
-4	Edelweiss 1-4		Hercules		1714	1X	1714	

LOADOUT

A/A						GUN	
A/G						CHF	
POD						FLR	
TKS						FUEL	

TOLD

	Takeoff	Target	Joker	Bingo	Land
FUEL	7163				

AIRBASES

	Name	TCN	ATIS	GND	TWR	RWY	Elev	ILS
Arr	Nellis AFB	12X	270.1	275.8	327.0	21L	1850	109.1
Div	Creech AFB	87X	290.45	275.8	360.6			

NOTES

Training für Montag

OTHER FLIGHTS

Callsign	Mission	Airframe	Freq	TCN	Grpld	Laser
Edelweiss 4	Training	1x F/A-18C	264.15	1/64		157X
AO	BEATTY	Task	BJT Training			
Edelweiss 5	Training	4x AH-64D	264.15	1/64		171X
AO	NTTR	Task	BFT			
Monster 1	Training	4x A-10C	132.15	1/64	21	161X
AO	R64C	Task	UNG. BOMB TRAINING			
Edelweiss 7	Training	2x F/A-18C	264.35	1/64		173X
AO	RANGE 64C	Task	TRAINING Refueling			
Edelweiss 7	Training	1x F/A-18C	264.35	1/64		173X
AO	RANGE 64C	Task	TRAINING Refueling			
Tiger 1	Training	2x F/A-18C	261.15	1/64	1	155X
AO	BVR Range	Task	BVR			
Panther 2	Training	2x F/A-18C	261.25	1/64	2	155X
AO	BVR Range	Task	BVR			
Beast 7	Training	2x A-10C	132.25	1/64	26	171X
AO	R64C	Task	UNG. BOMB TRAINING			

RADIO CHANNELS

#	Freq	Name
1		Flight/Squadron specific
2	289.4	Nellis Clearance Delivery
3	275.8	Nellis Ground
4	327.0	Nellis Tower
5	385.4	Nellis Approach/Departure West
6	273.55	Nellis Approach/Departure East
7	317.525	Nellis Control -- Sally
8	254.4	Nellis Control-- Lee
9	305.6	SOF Bullseye
10	343.725	EMERGENCY SINGLE FRQ
11	270.1	Nellis ATIS
12	360.625	Creech AFB Tower
13	250.1	HAVE QUICK 13
14	251.1	HAVE QUICK 14
15	252.1	HAVE QUICK 15
16	377.8	Blackjack
17	265.0	KC-135 AR-641A
18	360.8	KC-135MPRS AR-635
19	319.8	KC-135MPRS AR-625
20	300.05	KC-135 AR-231V

RAMROD

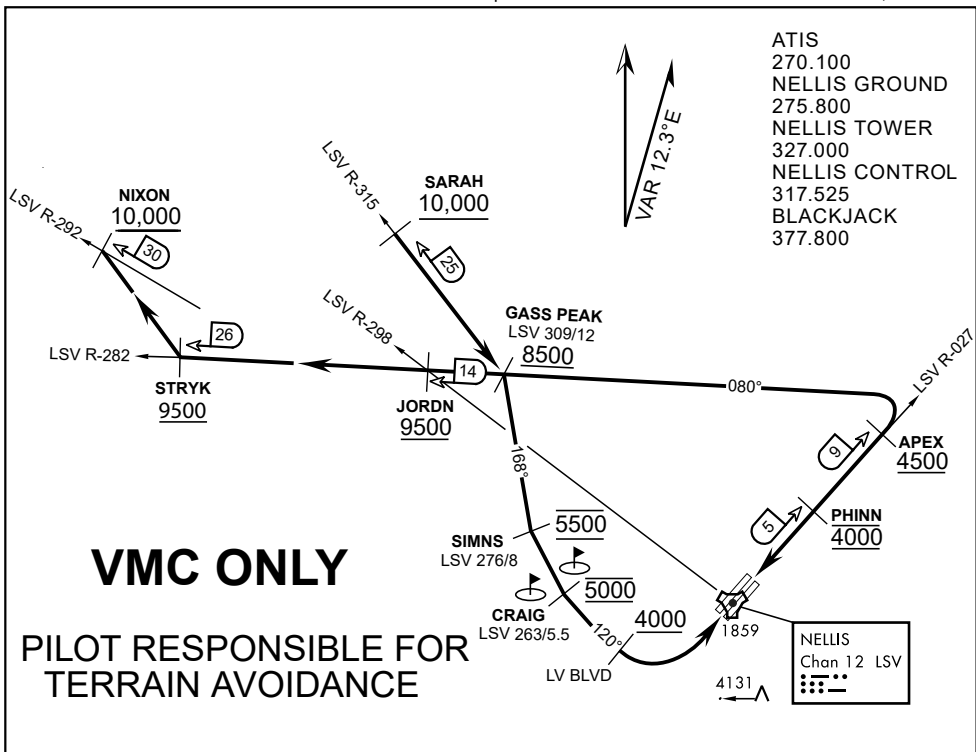
0	1	2	3	4	5	6	7	8	9
M	I	S	C	O	U	N	T	E	D

KTC 1400 C

	0	1	2	3	4	5	6	7	8	9
A	NRBP	UHK	IAW	XO	CF	MEV	JS	QY	TG	DL
B	XBRD	ALI	HCE	KN	MS	YFV	JG	QW	UO	PT
C	IBYA	SOV	RJE	CQ	GD	FNX	HT	MU	WK	PL
D	HEAI	XVQ	KMJ	GF	DW	YRP	OC	TB	NL	US
E	NYLO	GUW	PRX	IE	AB	CSK	JQ	MH	VF	TD
F	TMYR	NSX	FVA	LI	JE	QCD	UK	PB	OW	GH
G	DMUO	XNR	GIA	HQ	CP	YSB	WL	ET	JK	FV
H	YFNA	CEW	PLV	XT	HG	QSB	KU	IJ	MR	OD
I	FKJS	PCO	GTI	LA	NE	QBD	YU	RX	WV	MH
J	VHKN	OBU	QEI	LA	CM	WRY	DX	TF	JP	GS
K	GVPE	SXC	KND	QA	MB	YLW	JT	HF	UO	RI
L	IXNK	PWB	DQG	JU	VS	AYT	FL	OM	HR	CE
M	BKMW	NOU	ICD	GV	FS	QHL	AJ	TX	YP	RE
N	OGSW	NKU	YER	MT	JC	HBI	DV	LQ	FX	PA
O	VLWE	NTQ	SUJ	XK	BG	AOR	DC	HF	IP	MY
P	LABI	VOF	XQT	UD	RW	MGP	YK	SJ	NE	CH
Q	OHLN	RAV	BJX	IM	FW	CKG	EY	TP	QU	DS
R	EMHW	KIR	NTY	XF	DL	CPB	GU	QA	SV	JO
S	JEBT	YOQ	SAI	FN	CX	VRL	DM	KH	GW	UP
T	NJFP	UDV	OWM	QR	CK	ETH	GI	YB	XA	SL
U	EOPQ	RCM	HXJ	DY	FN	WLV	TK	IA	BS	UG
V	LBJT	OMI	GRE	WN	UC	VHK	QD	YF	XA	PS
W	AXDL	URK	SOV	FB	GH	PWI	YM	TJ	EC	NQ
X	JKXU	DLE	HTS	YA	WF	NVM	QI	PR	GO	BC
Y	FKIJ	TQR	XWO	GE	VY	PMB	DN	CU	AH	SL

NAVAIDS

Id	Name	Channel	Position	Elevation
BCE	Bryce Canyon	75	N3741.35 W11218.23	9040
BIH	Bishop	33	N3722.62 W11821.99	4114
BLD	Boulder	114	N3559.75 W11451.82	3650
BTY	Beatty	94	N3648.54 W11644.86	2925
CDC	Cedar City	120	N3747.24 W11304.90	5463
DAG	Daggett	79	N3457.75 W11634.69	1760
EED	Needles	99	N3445.96 W11428.43	650
GFS	Goffs	91	N3507.87 W11510.59	4019
GRL	Groom Lake	18	N3713.91 W11548.16	4475
HEC	Hector	74	N3447.83 W11627.78	1854
ILC	Wilson Creek	110	N3815.02 W11423.65	9318
INS	Creech AFB	87	N3635.20 W11540.12	3101
LAS	McCarran Intl	116	N3604.78 W11509.59	2142
LSV	Nellis	12	N3614.68 W11501.50	1864
MLF	Milford	58	N3821.62 W11300.79	4977
MMM	Mormon Mesa	90	N3646.16 W11416.65	2120
MVA	Mina	98	N3833.92 W11801.97	7860
OAL	Coale Dale	124	N3800.20 W11746.23	4800
PGS	Peach Springs	57	N3537.48 W11332.67	4754
TPH	Tonopah Muni	119	N3801.84 W11702.01	5330
TQQ	Silverbow	77	N3748.00 W11647.00	5500
UTI	St George	23	N3705.29 W11335.53	2871



ATIS
 270.100
 NELLIS GROUND
 275.800
 NELLIS TOWER
 327.000
 NELLIS CONTROL
 317.525
 BLACKJACK
 377.800

VMC ONLY

**PILOT RESPONSIBLE FOR
TERRAIN AVOIDANCE**

APPROACH ROUTE DESCRIPTION

APPROACH RWY 3L/R

Cross STRYK at or above 9,500' MSL, proceed direct GASS PEAK. Cross JORDN at or above 9,500' MSL, cross GASS PEAK at or above 8,500' MSL. Proceed direct SIMNS and cross at 5,500' MSL. Cross Las Vegas Blvd at or above 4,000' MSL then to 3,500' MSL for Initial. Remain within 4 DME if LSV on turn to final.

VFR STRAIGHT-IN RWY 3L/R

Depart CRAIG & descend to be at 3,000' MSL by Las Vegas Blvd. Do not descend below 3,000' MSL until within 5 DME of LSV or 4 NM of the runway on turn to final.

APPROACH RWY 21L/R

Cross STRYK at or above 9,500' MSL, proceed direct GASS PEAK. Cross JORDN at or above 9,500' MSL, cross GASS PEAK at or above 8,500' MSL. Cross APEX at or above 4,500' MSL then direct 5NM initial. Descend to cross PHINN at 4,000' MSL, Inside 5 NM descend to 3,500' MSL.

VFR STRAIGHT-IN RWY 21L/R

Cross APEX at 4,000' MSL. Descend to be at 3,000' MSL at PHINN. Descend to 3,000' MSL at LSV 027/5.

RANGE 63B EXIT

SOUTH: Via NIXON at or above 10,000' MSL, then direct STRYK.

EAST: Via SARAH at or above 10,000' MSL, then direct GASS PEAK.



RWY 3L-21R
 PCN 46 R/C/W/T
 RWY 3R-21L
 PCN 51 R/C/W/T
 2017

PAR	RWY	CAT	MINIMA		ARP	ELEV	Scale 1:35'500	
	21L	A B D E	2057 - 0.8 200	(200-0.8/1.6) GS 3°	36° 14.060° N 115° 01.058° W	1857 [ft] 566 [m]	0 300 600 900 1200 1500 [m]	
	3R	A B D E	2057 - 0.8 200	(200-0.8/1.6) GS 3°			0 1000 2000 3000 4000 5000 [ft]	
SRA	21R	A C D E	2257 - 1.2 350	(350-1.2/1.6)				
	3L	A C D E	2257 - 1.2 350	(350-1.2/1.6)				

RWY	TORA	TODA	ASDA	LDA	PSN	THR	ALS
21L	10051 [ft] 3063 [m]	11051 [ft] 3368 [m]	11051 [ft] 3368 [m]	10051 [ft] 3063 [m]	36°14.043' N	115°01.018' W	⊕
3R	10120 [ft] 3084 [m]	11120 [ft] 3398 [m]	11120 [ft] 3398 [m]	10120 [ft] 3084 [m]	36°13.029' N	115°02.038' W	

ATIS	NELLIS GROUND	NELLIS TOWER	NELLIS CONTROL	TACAN	ILS RWY 21L	NELLIS EAST	NELLIS WEST
270.100 MHz	275.800 121.800	327.000 132.55	317.525	LSV 12X	109.10 Mhz	384.400	385.000



INDIAN SPRINGS, NEVADA

TACAN INS Chan 87	APCH CRS 065°	Rwy ldg TDZE 3133	9002 3113
		Arpt Elev 3113	

INDIAN SPRINGS AF AUX (KINS)

▼ * MISSED APPROACH: Straight ahead to INS TACAN, intercept INS R-outbound, cross 17 DME at or above 9500, then direkt KSV TACAN 114

NELLIS CON

CREECH AFB TOWER
118.30 60.60

GND CON

NOT FOR CIVIL USE

FOR USE UNDER BASIC VFR
WEATHER MINIMUMS ONLY

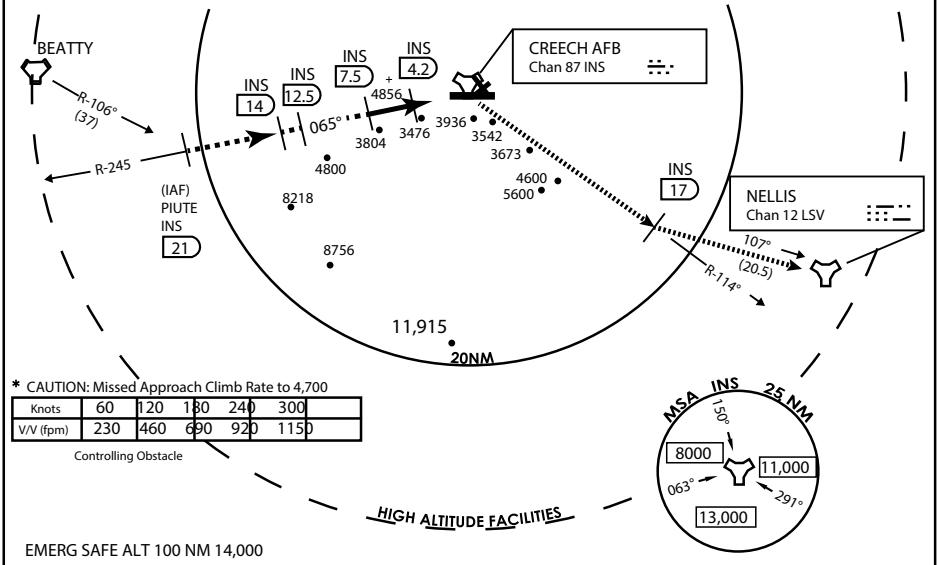
PILOT IS RESPONSIBLE FOR TERRAIN/OBSTACLE AVOIDANCE AND APPROPRIATE VFR CLOUD CLEARANCE FOR ALL

CAUTION: Descent gradients are greater than allowed under standard TERPS criteria and inbound course does not meet straight-in criteria

CAUTION: Final approach course crosses Runway centerline at MIDFIELD. Maneuvering left of course required prior to landing. Do not Maneuver farther north than the INS R- 258

Modified by viaBog 66 for use with DCS
NOT FOR REAL LIFE NAVIGATION

Modified by viaBog 66 for use with DCS
NOT FOR REAL LIFE NAVIGATION



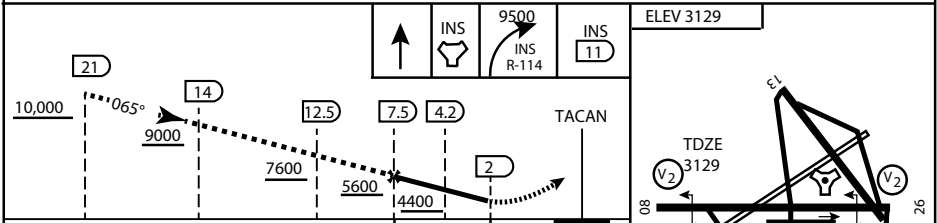
* CAUTION: Missed Approach Climb Rate to 4,700

Knots	60	120	180	240	300
V/V (fpm)	230	460	690	920	1150

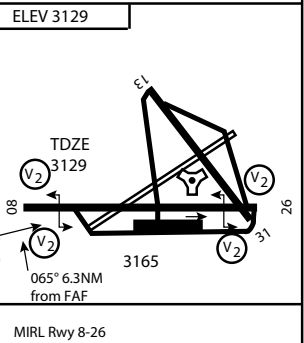
Controlling Obstacle

HIGH ALTITUDE FACILITIES

EMERG SAFE ALT 100 NM 14,000



CATEGORY	A	B	C	D	E
S-8	3760-1 ½	627 (700-1 ½)	3760-1¾ 627 (700-1¾)	3760-2 627 (700-2)	3760-2¼ 627 (700-2¼)
CIRCLING	NOT AUTHORIZED				



CITY OF INDIAN, NEVADA

INDIAN SPRINGS AF AUX (KINS)

(FOR DAY VFR USE ONLY)



AIRPORT DIAGRAM

476 VFG

CREECH AFB (KINS)
INDIAN SPRINGS, NEVADA

ATIS
 122.5
 CREECH TOWER
 118.4 360.7 38.65
 GND CON
 118.3 275.8
 CLNC DEL

115°42'W

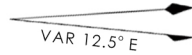
FIELD
 ELEV
 3127

80

972 X 150

HOT CARGO PAD

BAK-12


 VAR 12.5° E

WEST EOR

115°41'W

476 VFG JAN 2019

476 VFG JAN 2019

CONTROL TOWER
 BASE OPS

RPA LOLA WEST

RPA LOLA EAST

LOLA / HUNG ORDNANCE

199 X 100
 ELEV 3127
 RUNWAY 31/13
 MQ/RQ-1 ONLY

258.5°

860 X 100
 313.8°

4064 X 100
 133.8°

BAK-12

ELEV 3127

115°40'W

EAST EOR

1030 X 150

26

AIRPORT DIAGRAM

INDIAN SPRINGS, NEVADA
CREECH AFB (KINS)