

**MISSION DATA CARD**

OPORD		Callsign		Mission		Date/Time	
3239/2024		Raptor 1		SEAD		232000SEP24	
Task	SAM Evasion					Freq	
AO	Groom (SAMs)					134.0	
Departure				Recovery			
FYTTR LOW				STRYK			
#	Callsign	Pilot	IFF	TCN	LSR	NET	
-1	Raptor 1-1	Cyking	1611	1Y	1621		
-2	Raptor 1-2	Woodman	1612	64Y	1622		
-3	Raptor 1-3	Hercules	1613	64X	1623		
-4	Raptor 1-4	Jinx	1614	1X	1624		

**LOADOUT**

A/A	2xA120C, 2xA9X			GUN	100% HEI-T		
A/G				CHF	120		
POD				FLR	0		
TKS	3xFT300			FUEL	100%		

**TOLD**

	Takeoff	Target	Joker	Bingo	Land		
FUEL	13172						

**AIRBASES**

	Name	TCN	ATIS	GND	TWR	RWY	Elev	ILS
Dep	Nellis AFB	12X	270.1	275.8	327.0	21L	1850	109.1
Arr	Nellis AFB	12X	270.1	275.8	327.0	21L	1850	109.1
Div	Creech AFB	87X	290.45	275.8	360.6			

**FLIGHTPLAN**

#	Name	Navaid/Coords/DME	ALT	TOT
1	DREAM	N37 10 20.400 W114 59 31.800	15000	
2	IP	N37 22 43.501 W115 09 33.506	16000	
3	NORTH	N37 27 22.033 W115 36 10.037	15000	
4	SOUTH	N37 07 01.565 W115 36 07.298	15000	
5	SARAH	N36 36 27 W115 18 01.800	15000	
6	GASS PEAK	N36 24 08.400 W115 10 39.600	15000	
7	SIMNS	N36 17 20.400 W115 10 45	15000	
8	CRAIG	N36 15 15 W115 08 16.200	15000	
9	Nellis AFB	N36 13 32 W115 02 37	1500	

**SUPPORT****Tanker**

Callsign	TCN	Freq	ALT	TAS
TEXACO 2	95Y	289.7	FL220	420
Pos	Pegasus.1: CDC 166/102 (N3730 W11440)			

## OTHER FLIGHTS

Callsign	Mission	Airframe	Freq	TCN	Grpld	Laser
Edelweiss 1	Training	2x F/A-18C	264.15	12/75	1	171X
AO	BEATTY	Task	BJT Training			
Tiger 1	Training	4x F/A-18C	261.15	1/64	1	155X
AO	Range 74.06 and 74.08	Task	AG Bomb, AAR and Formation			
Panther 2	Training	2x F/A-18C	261.25	1/64	2	156X
AO	Range 74.06 and 74.08	Task	AG Bomb, AAR and Formation			
Monster 1	Training	4x A-10C	132.15	1/64	21	161X
AO	R65	Task	Rocket Training			
Nazgul 6	Training	4x F-15E	262.45	1/64		156X
AO	BFM Range	Task	BFM Training			
Edelweiss 4	Training	1x F/A-18C	264.45	1/64		174X
AO		Task				
Edelweiss 2	SEAD	4x F-16C	134.5	1/64		162X
AO	Groom (SAMs)	Task	SAM Evasion			
Rattler 5	Training	4x AH-64D	133.5	1/64		125X
AO		Task				

**RADIO CHANNELS**

#	Freq	Name
1		Flight/Squadron specific
2	289.4	Nellis Clearance Delivery
3	275.8	Nellis Ground
4	327.0	Nellis Tower
5	385.4	Nellis Approach/Departure West
6	273.55	Nellis Approach/Departure East
7	317.525	Nellis Control -- Sally
8	254.4	Nellis Control-- Lee
9	305.6	SOF Bullseye
10	343.725	EMERGENCY SINGLE FRQ
11	270.1	Nellis ATIS
12	360.625	Creech AFB Tower
13	250.1	HAVE QUICK 13
14	251.1	HAVE QUICK 14
15	252.1	HAVE QUICK 15
16	377.8	Blackjack
17	265.0	KC-135 AR-641A
18	360.8	KC-135MPRS AR-635
19	319.8	KC-135MPRS AR-625
20	300.05	KC-135 AR-231V

**RAMROD**

0	1	2	3	4	5	6	7	8	9
T	H	R	O	W	B	A	C	K	S

**KTC 1400 C**

	0	1	2	3	4	5	6	7	8	9
A	NCJH	FQU	MGS	OW	VA	EBP	DX	IY	LR	TK
B	THBE	UWO	XKL	NP	AY	VSR	DG	JI	QC	FM
C	FKHI	LDS	RAT	PX	GJ	YUB	VN	OQ	EC	MW
D	BMNO	SRJ	CDU	EY	XP	HKV	LF	GW	TI	QA
E	TRXG	DVF	IOK	EL	SW	MPJ	CQ	AU	BY	NH
F	RTEC	WXB	LAD	SJ	FM	IQO	PK	GV	NY	UH
G	MXOI	JGH	BTA	LV	UR	NYF	EP	KD	CQ	SW
H	HIEG	CUT	JRQ	YX	BO	WPL	KN	AD	SF	MV
I	KLPO	RCN	YID	TX	BQ	UWS	HV	AM	EF	JG
J	QBNO	LXP	RFJ	HK	YG	IVW	EA	SD	UM	TC
K	FIMT	VAW	DQC	LY	OJ	NUS	HR	XB	PE	KG
L	TYNM	ORI	WKV	QA	DJ	EPG	CF	SB	LX	HU
M	FJRC	EUV	YMD	PO	HG	BTI	QL	AS	XN	WK
N	PVQE	AYS	BUR	GD	MN	WJH	CO	IF	KX	LT
O	ALBE	INP	CGX	FK	JU	YTD	WR	MQ	OH	SV
P	NXMT	FQL	SEY	WI	CR	UJA	VP	GH	BK	OD
Q	IAJK	SGQ	FCO	DB	ML	XUP	RE	YV	TH	NW
R	XWDN	TFR	YGJ	VO	SP	BHI	AK	EQ	ML	UC
S	YRVH	JOT	NXD	KB	SM	AFE	LC	IQ	UP	WG
T	CWJO	XRV	LKG	AE	UB	YSN	IM	HT	FP	DQ
U	ECTW	KMB	QFD	YX	VU	IPJ	HS	GN	AO	LR
V	JEXY	ABU	LOC	PD	MQ	FNW	SV	RH	TG	KI
W	GSTH	QDL	NVX	OF	KR	MEU	PW	IJ	BY	CA
X	GHVA	DCO	WYM	EP	NK	LIU	FJ	QX	TR	SB
Y	OYFJ	GXE	TQI	AL	WH	KDV	BC	NU	PM	RS

**NAVAIDS**

<b>Id</b>	<b>Name</b>	<b>Channel</b>	<b>Position</b>	<b>Elevation</b>
BCE	Bryce Canyon	75	N3741.35 W11218.23	9040
BIH	Bishop	33	N3722.62 W11821.99	4114
BLD	Boulder	114	N3559.75 W11451.82	3650
BTY	Beatty	94	N3648.54 W11644.86	2925
CDC	Cedar City	120	N3747.24 W11304.90	5463
DAG	Daggett	79	N3457.75 W11634.69	1760
EED	Needles	99	N3445.96 W11428.43	650
GFS	Goffs	91	N3507.87 W11510.59	4019
GRL	Groom Lake	18	N3713.91 W11548.16	4475
HEC	Hector	74	N3447.83 W11627.78	1854
ILC	Wilson Creek	110	N3815.02 W11423.65	9318
INS	Creech AFB	87	N3635.20 W11540.12	3101
LAS	McCarran Intl	116	N3604.78 W11509.59	2142
LSV	Nellis	12	N3614.68 W11501.50	1864
MLF	Milford	58	N3821.62 W11300.79	4977
MMM	Mormon Mesa	90	N3646.16 W11416.65	2120
MVA	Mina	98	N3833.92 W11801.97	7860
OAL	Coale Dale	124	N3800.20 W11746.23	4800
PGS	Peach Springs	57	N3537.48 W11332.67	4754
TPH	Tonopah Muni	119	N3801.84 W11702.01	5330
TQQ	Silverbow	77	N3748.00 W11647.00	5500
UTI	St George	23	N3705.29 W11335.53	2871



RWY 3L-21R  
 PCN 46 R/C/W/T  
 RWY 3R-21L  
 PCN 51 R/C/W/T  
 2017

PAR	RWY	CAT	MINIMA		ARP	ELEV	Scale 1:35'500	
	21L	A B D E	2057 - 0.8 200 (200-0.8/1.6)	GS 3°	36° 14.060° N 115° 01.058° W	1857 [ft] 566 [m]	0 300 600 900 1200 1500 [m]	
	3R	A B D E	2057 - 0.8 200 (200-0.8/1.6)	GS 3°			0 1000 2000 3000 4000 5000 [ft]	
SRA	21R	A C D E	2257 - 1.2 350 (350-1.2/1.6)					
	3L	A C D E	2257 - 1.2 350 (350-1.2/1.6)					

RWY	TORA	TODA	ASDA	LDA	PSN	THR	ALS
21L	10051 [ft] 3063 [m]	11051 [ft] 3368 [m]	11051 [ft] 3368 [m]	10051 [ft] 3063 [m]	36°14.043' N	115°01.018' W	⊕
3R	10120 [ft] 3084 [m]	11120 [ft] 3398 [m]	11120 [ft] 3398 [m]	10120 [ft] 3084 [m]	36°13.029' N	115°02.038' W	

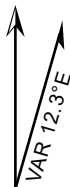
ATIS	NELLIS GROUND	NELLIS TOWER	NELLIS CONTROL	TACAN	ILS RWY 21L	NELLIS EAST	NELLIS WEST
270.100 MHz	275.800   121.800	327.000   132.55	317.525	LSV 12X	109.10 Mhz	384.400	385.000



# FYTTR LOW VISUAL OPERATION CHART | VALID 2014

ATIS  
270.100  
NELLIS GROUND  
275.800  
NELLIS TOWER  
327.000  
NELLIS CONTROL  
317.525  
NELLIS DEP/APP EAST  
384.400  
BLACKJACK  
377.800

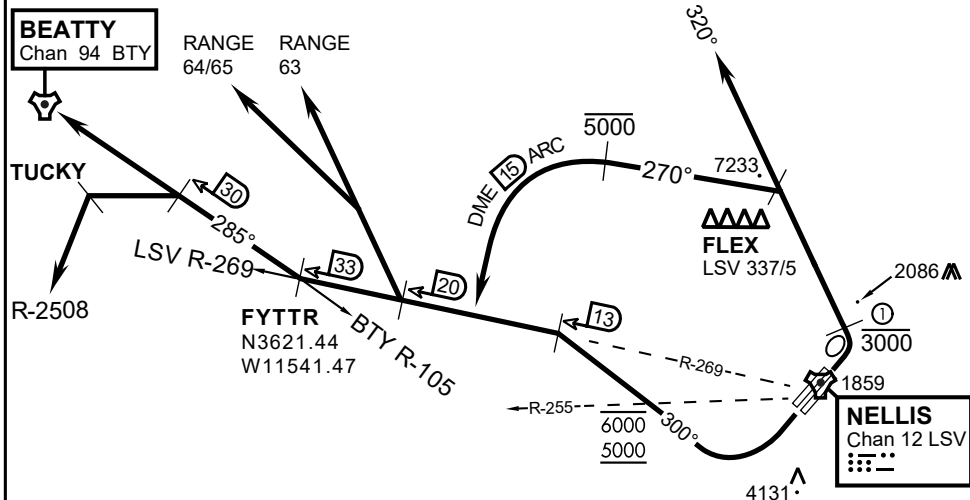
CAUTION: If unable to comply with restrictions advise ATC prior to departure.



## VMC ONLY

### PILOT RESPONSIBLE FOR TERRAIN AVOIDANCE

① 4 NM from RWY 3L/R



### DEPARTURE ROUTE DESCRIPTION

#### TAKEOFF RWY 3L/R:

- Remain below 3,000' MSL until north of Race Track and turned westbound.
- Turn left within 4NM of Nellis direct FLEX. Fly north of FLEX and turn left heading 270°.
- Intercept LSV 15 DME ARC at or below 5,000' MSL.
- ARC south, intercept LSV R-269 outbound. Maintain VFR.

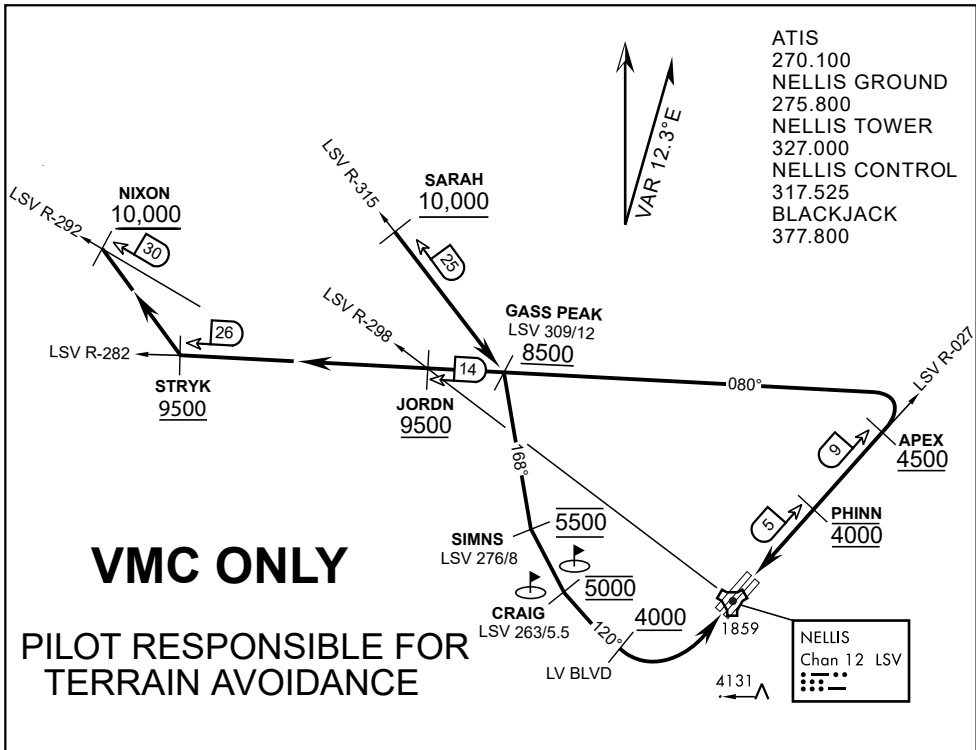
#### TAKEOFF RWY 21L/21R:

- Follow Noise Abatement Procedures.
- Fly runway heading until past Golf Course, turn right heading 300°.
- Cross LSV R-255 between 5,000' and 6,000' , intercept and proceed outbound on the LSV R-269.Recommend climb to 8,500' MSL or appropriate VFR altitude for overflight of North Las Vegas Training Area. Fly routing for appr. mission/transition.

#### TRANSITIONS:

- R-4806:** Turn right at the LSV 269/20 direct to assigned ranges.
- BEATTY:** Turn right at FYTTR direct BTY via the BTY R-105
- R-2508:** Turn right at the FYTTR, intercept the BTY 105/30, direct TUCKY, then direct R-2508

## FYTTR DEPARTURE AND TRANSITIONS (FYTTR LOW)



**APPROACH ROUTE DESCRIPTION**

**APPROACH RWY 3L/R**

Cross STRYK at or above 9,500' MSL, proceed direct GASS PEAK. Cross JORDN at or above 9,500' MSL, cross GASS PEAK at or above 8,500' MSL. Proceed direct SIMNS and cross at 5,500' MSL. Cross Las Vegas Blvd at or above 4,000' MSL then to 3,500' MSL for Initial. Remain within 4 DME if LSV on turn to final.

**VFR STRAIGHT-IN RWY 3L/R**

Depart CRAIG & descend to be at 3,000' MSL by Las Vegas Blvd. Do not descend below 3,000' MSL until within 5 DME of LSV or 4 NM of the runway on turn to final.

**APPROACH RWY 21L/R**

Cross STRYK at or above 9,500' MSL, proceed direct GASS PEAK. Cross JORDN at or above 9,500' MSL, cross GASS PEAK at or above 8,500' MSL. Cross APEX at or above 4,500' MSL then direct 5NM initial. Descend to cross PHINN at 4,000' MSL, Inside 5 NM descend to 3,500' MSL.

**VFR STRAIGHT-IN RWY 21L/R**

Cross APEX at 4,000' MSL. Descend to be at 3,000' MSL at PHINN. Descend to 3,000' MSL at LSV 027/5.

**RANGE 63B EXIT**

**SOUTH:** Via NIXON at or above 10,000' MSL, then direct STRYK.  
**EAST:** Via SARAH at or above 10,000' MSL, then direct GASS PEAK.



INDIAN SPRINGS, NEVADA

TACAN INS Chan 87	APCH CRS 065°	Rwy ldg TDZE 3133	9002 3113
		Arpt Elev 3113	

INDIAN SPRINGS AF AUX (KINS)

**▼** \* MISSED APPROACH: Straight ahead to INS TACAN, intercept INS R-outbound, cross 17 DME at or above 9500, then direkt KSV TACAN 114

NELLIS CON

CREECH AFB TOWER  
118.30 60.60

GND CON

**NOT FOR CIVIL USE**

FOR USE UNDER BASIC VFR  
WEATHER MINIMUMS ONLY

PILOT IS RESPONSIBLE FOR TERRAIN/OBSTACLE  
AVOIDANCE AND  
APPROPRIATE VFR CLOUD  
CLEARANCE FOR ALL

**CAUTION:** Descent gradients are greater than allowed under standard TERPS criteria and inbound course does not meet straight-in criteria

**CAUTION:** Final approach course crosses Runway centerline at MIDFIELD. Maneuvering left of course required prior to landing. Do not Maneuver farther north than the INS R- 258

Modified by vJaBoG 66 for use with DCS  
NOT FOR REAL LIFE NAVIGATION

Modified by vJaBoG 66 for use with DCS  
NOT FOR REAL LIFE NAVIGATION



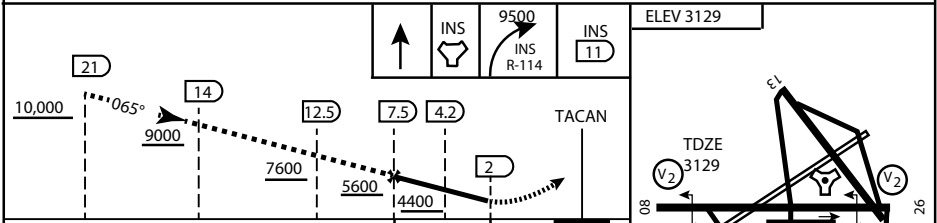
\* CAUTION: Missed Approach Climb Rate to 4,700

Knots	60	120	180	240	300
V/V (fpm)	230	460	690	920	1150

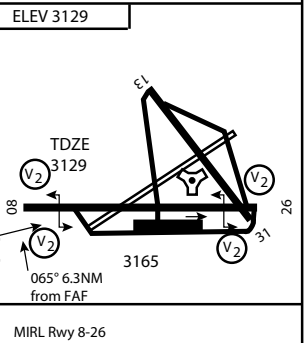
Controlling Obstacle

HIGH ALTITUDE FACILITIES

EMERG SAFE ALT 100 NM 14,000



CATEGORY	A	B	C	D	E
S-8	3760-1 1/2	627 (700-1 1/2)	3760-1 3/4 627 (700-1 3/4)	3760-2 627 (700-2)	3760-2 1/4 627 (700-2 1/4)
CIRCLING	NOT AUTHORIZED				



CITY OF INDIAN, NEVADA

INDIAN SPRINGS AF AUX (KINS)

(FOR DAY VFR USE ONLY)



# AIRPORT DIAGRAM

476 VFG

CREECH AFB (KINS)  
INDIAN SPRINGS, NEVADA

ATIS  
122.5  
CREECH TOWER  
118.4 360.7 38.65  
GND CON  
118.3 275.8  
CLNC DEL

115°42'W

FIELD  
ELEV  
3127

80

972 X 150

HOT  
CARGO  
PAD

78.9°

BAK-12

VAR 12.5° E

WEST  
EOR

115°41'W

476 VFG JAN 2019

CONTROL  
TOWER

BASE  
OPS

RPA LOLA  
WEST

RPA LOLA  
EAST

LOLA /  
HUNG  
ORDNANCE

199 X 100  
ELEV  
3127

RUNWAY  
31/13  
MQ/RQ-1  
ONLY

9002 X 150

258.5°

860 X 100

313.8°

4064 X 100

115°40'W

BAK-12

ELEV  
3127

EAST  
EOR

1030 X 150

26

476 VFG JAN 2019

# AIRPORT DIAGRAM

INDIAN SPRINGS, NEVADA  
CREECH AFB (KINS)