

MISSION DATA CARD

OPORD		Callsign		Mission		Date/Time		
3224/2024		Edelweiss 5		Training		191415SEP24		
Task	BJT Training					Freq		
AO	BEATTY					264.55		
Departure				Recovery				
FYTTR LOW				STRYK				
#	Callsign		Pilot		IFF	TCN	LSR	NET
-1	Edelweiss 5-1		Joker		1751	10Y	1681	05/01

LOADOUT

A/A	2xA9X				GUN	100% HEI-T	
A/G					CHF	120	
POD					FLR	0	
TKS	FPU-8A				FUEL	100%	

TOLD

	Takeoff	Target	Joker	Bingo	Land
FUEL	13047		5000	2500	

AIRBASES

	Name	TCN	ATIS	GND	TWR	RWY	Elev	ILS
Dep	Nellis AFB	12X	270.1	275.8	327.0	21L	1850	109.1
Arr	Nellis AFB	12X	270.1	275.8	327.0	21L	1850	109.1
Div	Creech AFB	87X	290.45	275.8	360.6			

FLIGHTPLAN

#	Name	Navaid/Coords/DME	ALT	TOT
1	FYTTR	LSV 269/33 (N36 21.440 W115 41.470)		
2	STRYK	LSV 282/26 (N36 25.620 W115 30.700)		
3	Creech AFB	N36 35.200 W115 40.120		
4	Beatty Airport	N36 51.682 W116 47.186		
5	APEX	LSV 027/09 (N36 21.580 W114 54.340)		
6	GASS PEAK	LSV 309/12 (N36 24.140 W115 10.660)		

RADIO CHANNELS

#	Freq	Name
1		Flight/Squadron specific
2	289.4	Nellis Clearance Delivery
3	275.8	Nellis Ground
4	327.0	Nellis Tower
5	385.4	Nellis Approach/Departure West
6	273.55	Nellis Approach/Departure East
7	317.525	Nellis Control -- Sally
8	254.4	Nellis Control-- Lee
9	305.6	SOF Bullseye
10	343.725	EMERGENCY SINGLE FRQ
11	270.1	Nellis ATIS
12	360.625	Creech AFB Tower
13	250.1	HAVE QUICK 13
14	251.1	HAVE QUICK 14
15	252.1	HAVE QUICK 15
16	377.8	Blackjack
17	265.0	KC-135 AR-641A
18	360.8	KC-135MPRS AR-635
19	319.8	KC-135MPRS AR-625
20	300.05	KC-135 AR-231V

RAMROD

0	1	2	3	4	5	6	7	8	9
D	E	A	T	H	B	L	O	W	S

KTC 1400 C

	0	1	2	3	4	5	6	7	8	9
A	JBPK	NWX	IOU	ER	LQ	CDF	YH	TM	GS	AV
B	OIWL	PSD	HNX	MG	AY	RFU	VT	QK	EB	JC
C	SWNA	TDK	YMV	FG	IL	OPR	UC	HJ	QX	BE
D	XVMR	FAN	PSL	HY	EG	KCT	JQ	UD	WI	OB
E	RJWM	GTY	LBV	ED	UQ	OFX	AN	IH	SP	CK
F	SNXJ	WEM	PCU	LD	AG	BYH	VR	IO	FK	QT
G	NRDJ	CSA	OVH	UG	FM	EBX	WY	QP	TK	IL
H	ODWH	LQU	GIC	FB	RS	EKM	JN	XV	PT	AY
I	FSDL	WRI	UCQ	BK	TO	MNY	GP	AH	VJ	XE
J	JUXB	SRF	IPW	YE	DQ	OTC	VH	MG	LA	KN
K	XIPM	OWF	AQR	YV	SJ	NEG	BT	DK	LC	HU
L	ADHX	MPF	NGR	JL	OC	BUQ	SI	EY	TW	KV
M	TJYW	FPR	SVH	XI	AE	MDB	KL	CO	NU	GQ
N	HQWS	YGL	MAX	RV	EO	NPB	ID	TK	CF	JU
O	QGRT	ECH	VBL	WP	NI	KFY	SM	XJ	DA	OU
P	HYTF	NSR	ACB	JD	KW	EGU	IL	OX	VP	MQ
Q	YWIT	DKB	FUN	HS	PX	ARL	CO	QG	JM	EV
R	GILY	UAN	DBS	QC	WV	KXJ	HF	MO	RP	TE
S	SGNX	JPK	WMV	BO	HE	URY	QL	CI	AF	DT
T	PIDG	VYJ	UAM	BW	LK	OCQ	XH	SN	RF	TE
U	WGRQ	XJB	TAY	FK	ON	CHP	SI	DL	MU	VE
V	AGLQ	YMF	RND	VW	BX	KSO	EC	UT	IH	JP
W	AGXJ	MBS	WRN	PV	HF	CIU	QT	ED	YL	OK
X	VFHG	PTW	LKJ	XR	DS	ENU	IM	BO	CY	AQ
Y	KLBA	EXN	FGJ	SV	RY	PCH	OD	MQ	TU	IW

NAVAIDS

Id	Name	Channel	Position	Elevation
BCE	Bryce Canyon	75	N3741.35 W11218.23	9040
BIH	Bishop	33	N3722.62 W11821.99	4114
BLD	Boulder	114	N3559.75 W11451.82	3650
BTY	Beatty	94	N3648.54 W11644.86	2925
CDC	Cedar City	120	N3747.24 W11304.90	5463
DAG	Daggett	79	N3457.75 W11634.69	1760
EED	Needles	99	N3445.96 W11428.43	650
GFS	Goffs	91	N3507.87 W11510.59	4019
GRL	Groom Lake	18	N3713.91 W11548.16	4475
HEC	Hector	74	N3447.83 W11627.78	1854
ILC	Wilson Creek	110	N3815.02 W11423.65	9318
INS	Creech AFB	87	N3635.20 W11540.12	3101
LAS	McCarran Intl	116	N3604.78 W11509.59	2142
LSV	Nellis	12	N3614.68 W11501.50	1864
MLF	Milford	58	N3821.62 W11300.79	4977
MMM	Mormon Mesa	90	N3646.16 W11416.65	2120
MVA	Mina	98	N3833.92 W11801.97	7860
OAL	Coale Dale	124	N3800.20 W11746.23	4800
PGS	Peach Springs	57	N3537.48 W11332.67	4754
TPH	Tonopah Muni	119	N3801.84 W11702.01	5330
TQQ	Silverbow	77	N3748.00 W11647.00	5500
UTI	St George	23	N3705.29 W11335.53	2871

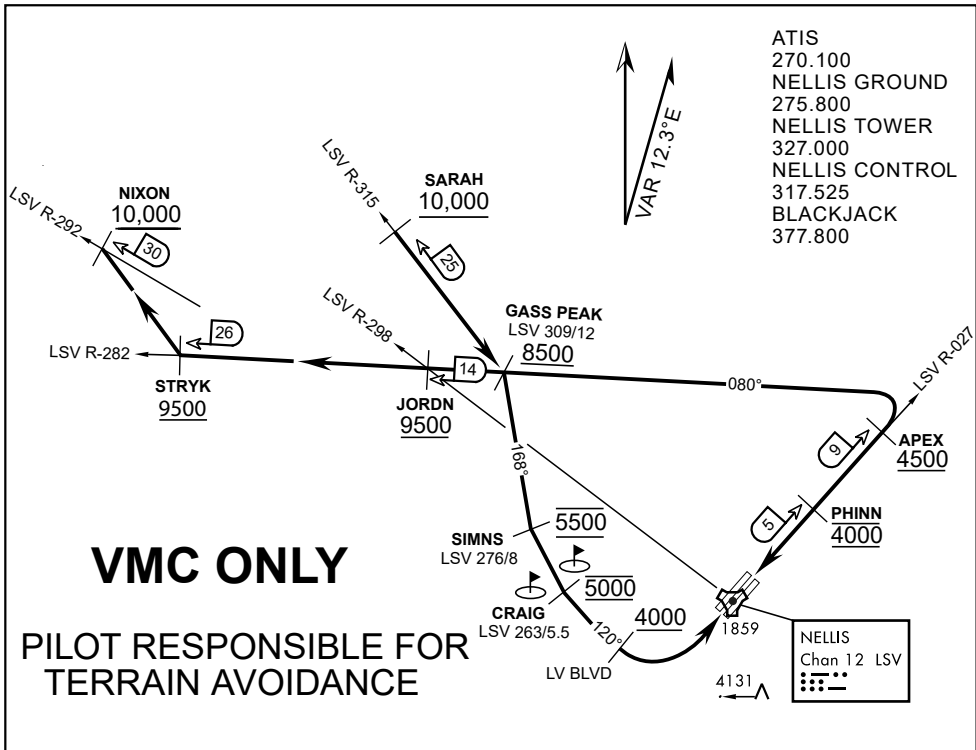


RWY 3L-21R
 PCN 46 R/C/W/T
 RWY 3R-21L
 PCN 51 R/C/W/T
 2017

PAR	RWY	CAT	MINIMA	ARP	ELEV	Scale 1:35'500
	21L	A B D E	2057 - 0.8 200 (200-0.8/1.6) GS 3°	36° 14.060° N 115° 01.058° W	1857 [ft] 566 [m]	0 300 600 900 1200 1500 [m]
	3R	A B D E	2057 - 0.8 200 (200-0.8/1.6) GS 3°			0 1000 2000 3000 4000 5000 [ft]
SRA	21R	A C D E	2257 - 1.2 350 (350-1.2/1.6)			
	3L	A C D E	2257 - 1.2 350 (350-1.2/1.6)			

RWY	TORA	TODA	ASDA	LDA	PSN	THR	ALS
21L	10051 [ft] 3063 [m]	11051 [ft] 3368 [m]	11051 [ft] 3368 [m]	10051 [ft] 3063 [m]	36°14.043' N	115°01.018' W	⊕
3R	10120 [ft] 3084 [m]	11120 [ft] 3398 [m]	11120 [ft] 3398 [m]	10120 [ft] 3084 [m]	36°13.029' N	115°02.038' W	

ATIS	NELLIS GROUND	NELLIS TOWER	NELLIS CONTROL	TACAN	ILS RWY 21L	NELLIS EAST	NELLIS WEST
270.100 MHz	275.800 121.800	327.000 132.55	317.525	LSV 12X	109.10 Mhz	384.400	385.000



APPROACH ROUTE DESCRIPTION

APPROACH RWY 3L/R

Cross STRYK at or above 9,500' MSL, proceed direct GASS PEAK. Cross JORDN at or above 9,500' MSL, cross GASS PEAK at or above 8,500' MSL. Proceed direct SIMNS and cross at 5,500' MSL. Cross Las Vegas Blvd at or above 4,000' MSL then to 3,500' MSL for Initial. Remain within 4 DME if LSV on turn to final.

VFR STRAIGHT-IN RWY 3L/R

Depart CRAIG & descend to be at 3,000' MSL by Las Vegas Blvd. Do not descend below 3,000' MSL until within 5 DME of LSV or 4 NM of the runway on turn to final.

APPROACH RWY 21L/R

Cross STRYK at or above 9,500' MSL, proceed direct GASS PEAK. Cross JORDN at or above 9,500' MSL, cross GASS PEAK at or above 8,500' MSL. Cross APEX at or above 4,500' MSL then direct 5NM initial. Descend to cross PHINN at 4,000' MSL, Inside 5 NM descend to 3,500' MSL.

VFR STRAIGHT-IN RWY 21L/R

Cross APEX at 4,000' MSL. Descend to be at 3,000' MSL at PHINN. Descend to 3,000' MSL at LSV 027/5.

RANGE 63B EXIT

SOUTH: Via NIXON at or above 10,000' MSL, then direct STRYK.

EAST: Via SARAH at or above 10,000' MSL, then direct GASS PEAK.



INDIAN SPRINGS, NEVADA

TACAN INS Chan 87	APCH CRS 294 °	Rwy Idg TDZE Arprt Elev	9002 3133 3113
----------------------	-------------------	-------------------------------	----------------------

INDIAN SPRINGS AF AUX (KINS)

▽ * MISSED APPROACH: Direct INS then outbound INS **t8:2#DME** climbing to 10,000.

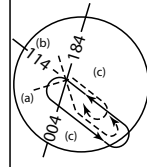
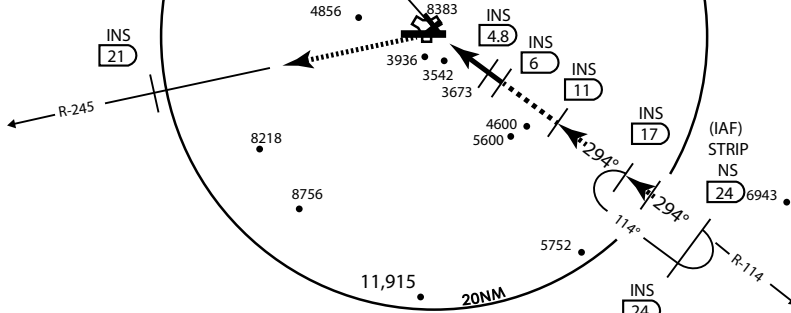
NELLIS CON -	INDIAN SPRINGS TOWER 118.30 U 60.60	GND CON -
-----------------	---	--------------

NOT FOR CIVIL USE

5975 •

CAUTION: Final approach course does not cross Runway centerline prior to threshold. Maneuvering right of course required prior to landing.

CREECH AFB
Chan 87 INS



Modified by vJaBoG 66 for use with DCS

Modified by vJaBoG 66 for use with DCS

NOT FOR REAL LIFE NAVIGATION

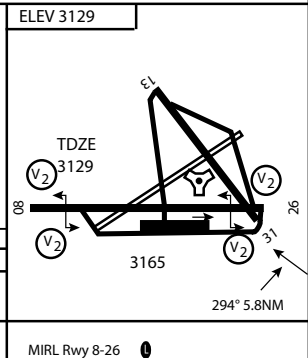
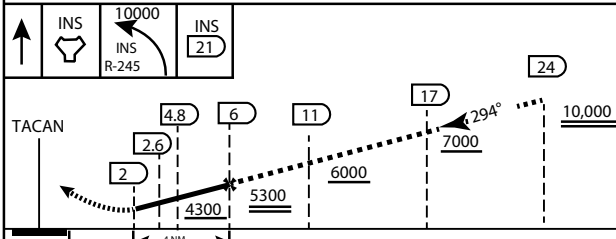
NOT FOR REAL LIFE NAVIGATION

* CAUTION: Missed Approach Climb Rate to 4,700

Knots	60	120	180	240	300	360
V/V (fpm)	450	900	1350	1800	2250	2700

Controlling Obstacle 3936

EMERG SAFE ALT 100 NM 14,000



CATEGORY	A	B	C	D	E
S-26	3800-2 ¼	697 (700 2 ½)			3800-2 ¼ 697 (700-2 ½)
CIRCLING	NOT AUTHORIZED				

MIRL Rwy 8-26 **0**

CITY OF INDIAN, NEVADA

INDIAN SPRINGS AF AUX (KINS)



AIRPORT DIAGRAM

476 VFG

CREECH AFB (KINS)
INDIAN SPRINGS, NEVADA

ATIS
 122.5
 CREECH TOWER
 118.4 360.7 38.65
 GND CON
 118.3 275.8
 CLNC DEL

115°42'W

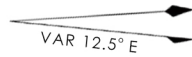
FIELD
 ELEV
 3127

80

972 X 150

HOT CARGO PAD

BAK-12


 VAR 12.5° E

WEST EOR

115°41'W

476 VFG JAN 2019

CONTROL TOWER
 BASE OPS

RPA LOLA WEST

RPA LOLA EAST

LOLA / HUNG ORDNANCE

199 X 100
 ELEV 3127
 RUNWAY 31/13
 MQ/RQ-1 ONLY

476 VFG JAN 2019

9002 X 150

258.5°

860 X 100

313.8°

4064 X 100

BAK-12

ELEV 3127

115°40'W

EAST EOR

1030 X 150

26

AIRPORT DIAGRAM

INDIAN SPRINGS, NEVADA
CREECH AFB (KINS)